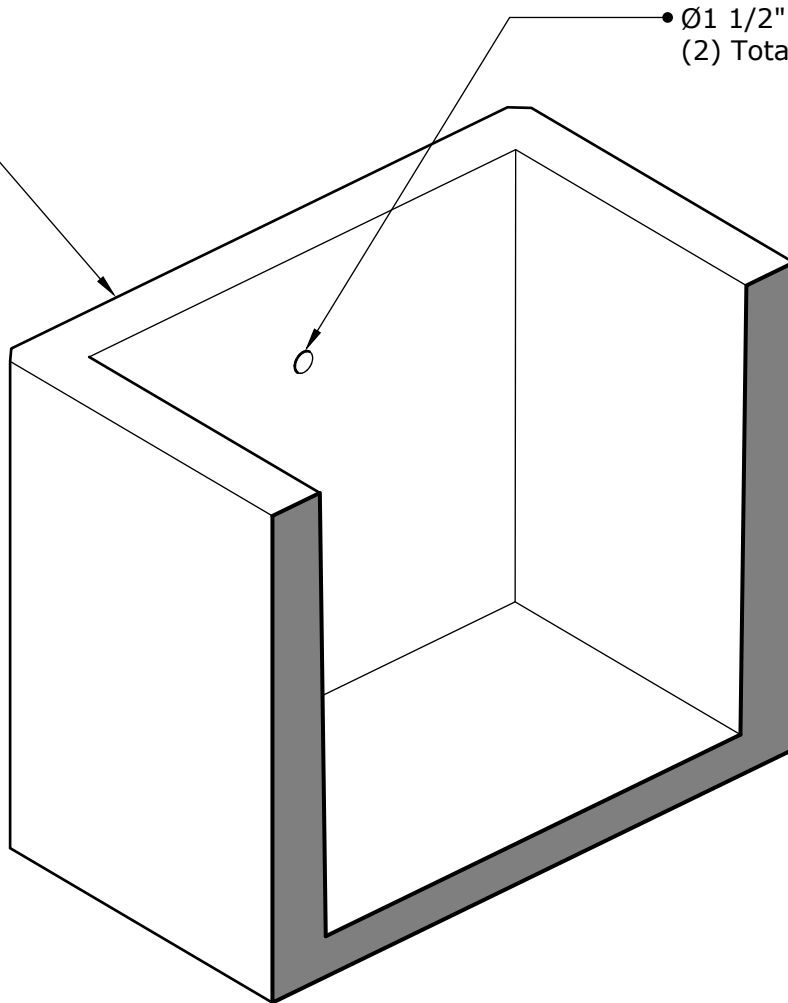


233 WA

ISO VIEW

233 WA BASE
1,935 lbs

• Ø1 1/2" LIFT HOLE
(2) Total



Customer:

Project:

Product:

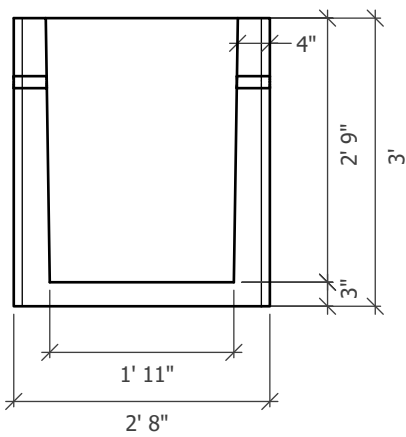
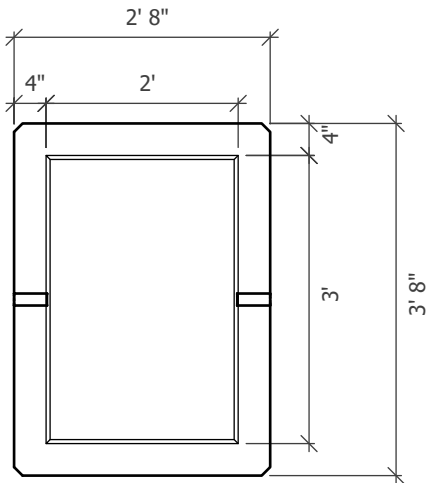


233 WA

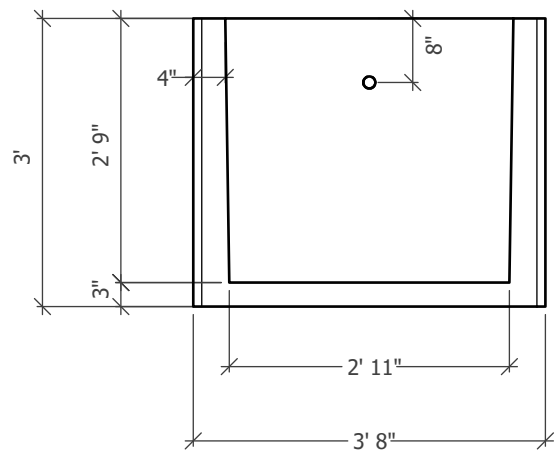
541-923-3272
1111 NE 11TH ST.
REDMOND, OR
97756

233 WA

PLAN VIEW



FRONT VIEW



SIDE VIEW



233 WA

541-923-3272
1111 NE 11TH ST.
REDMOND, OR
97756