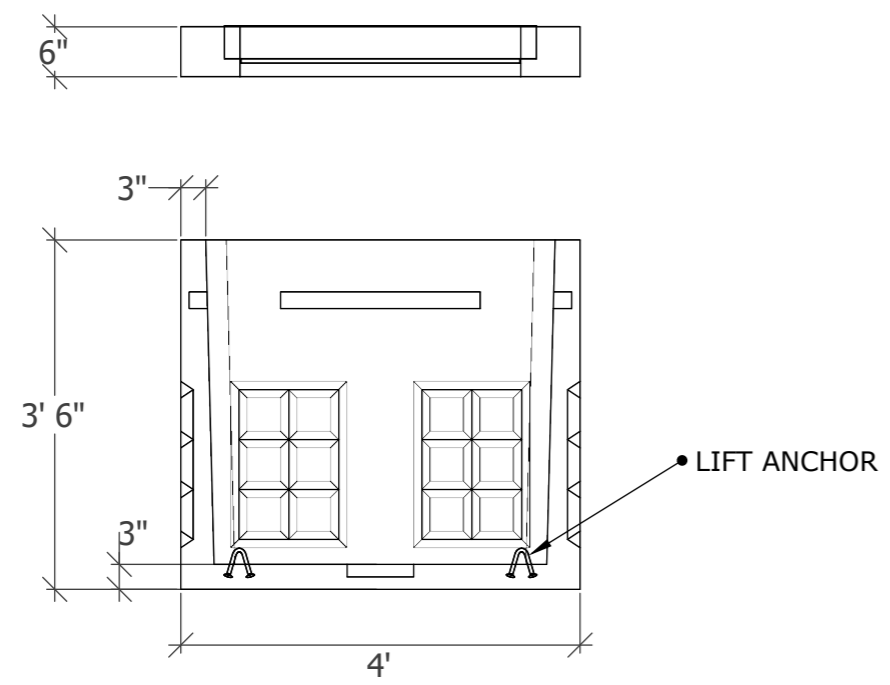
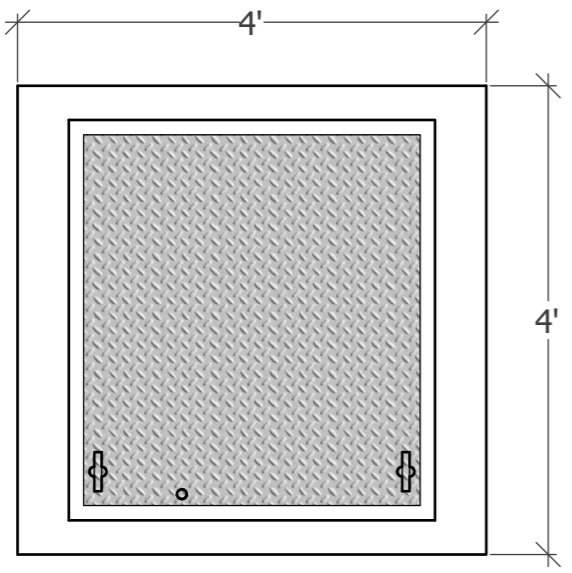


# 444 LA VAULT H20

**PROFILE**



**PLAN**



3X3 ALUMINUM HATCH  
H-20 INCIDENTAL

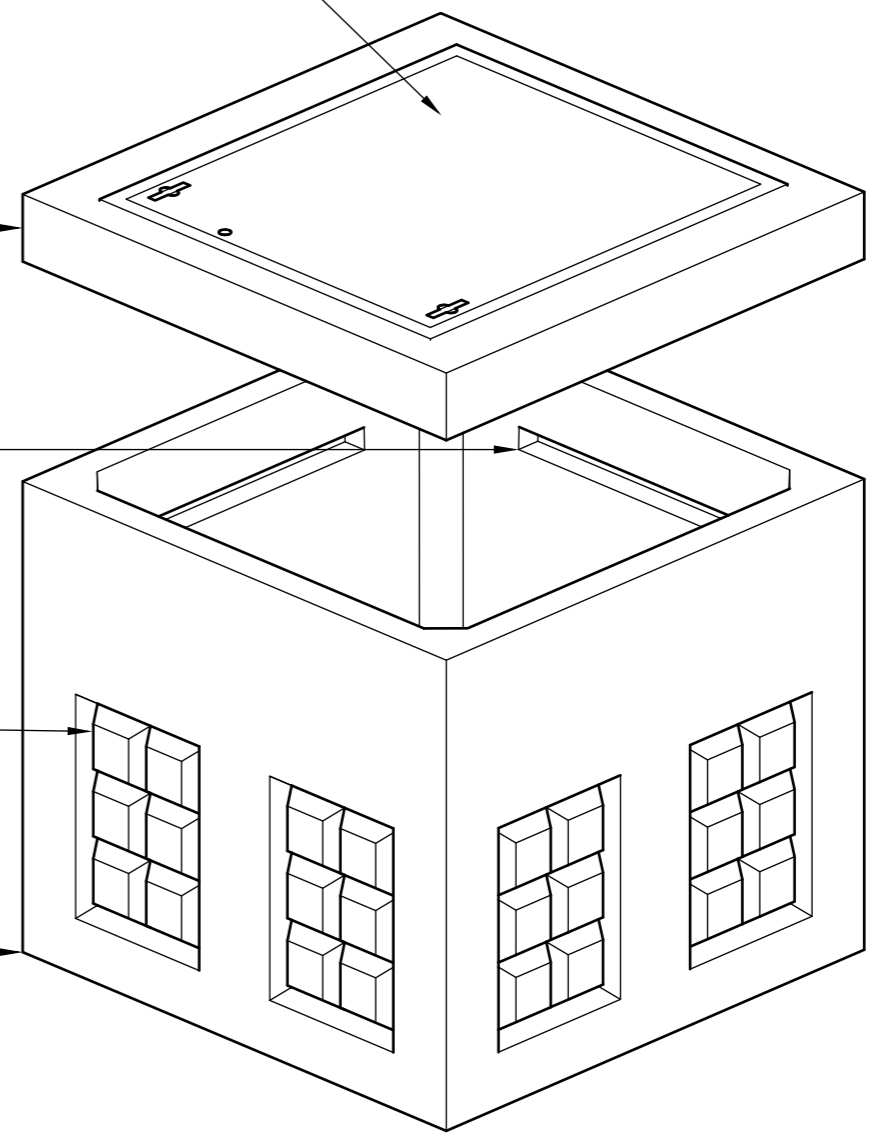
**ISO**

LID  
615LBS

STRUT CHANNEL  
OPTIONAL

14" x 28"  
Knockout  
OPTIONAL

BASE  
2,360 LBS



1111 NE 11th St.  
Redmond OR, 97756  
541-923-3272

444 LA VAULT H20