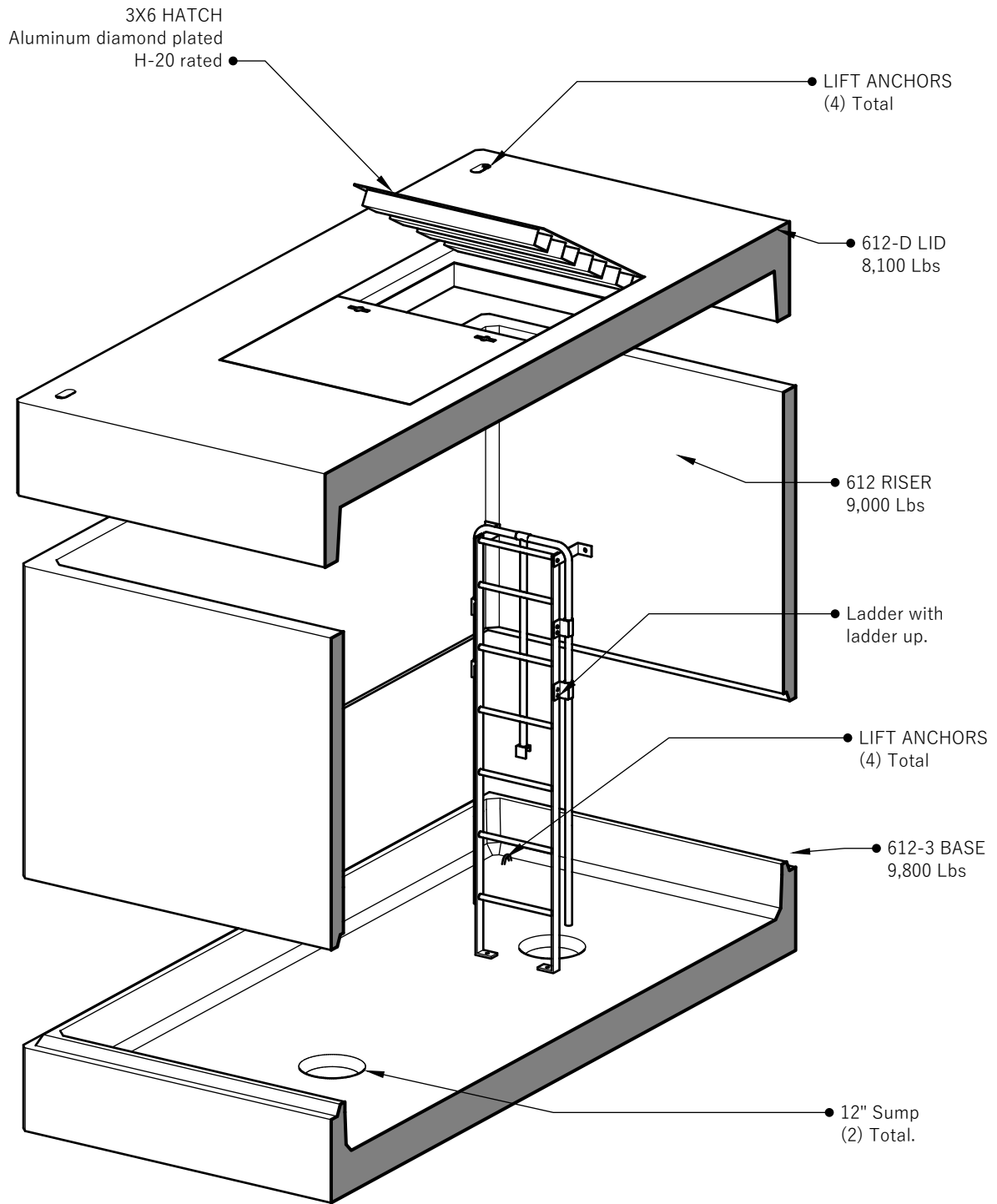


612-3-3x6

SECTION AA



Customer:
Project:
Product: 612-3-3x6

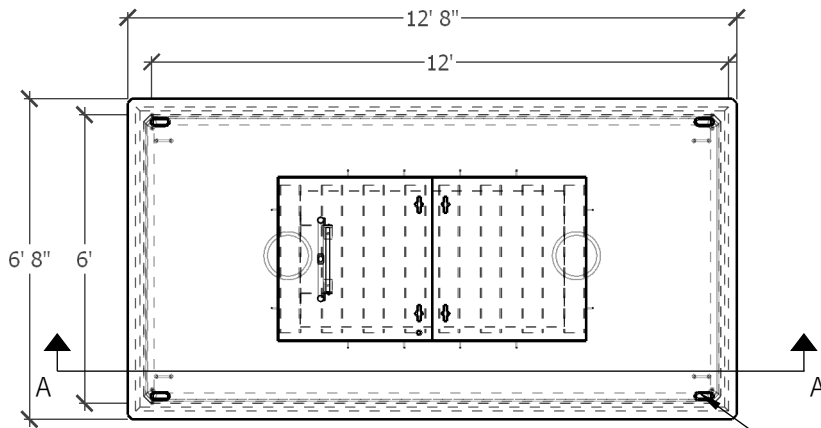


612-3-3x6

541-923-3272
1111 NE 11TH ST.
REDMOND, OR
97756

612-3-3x6

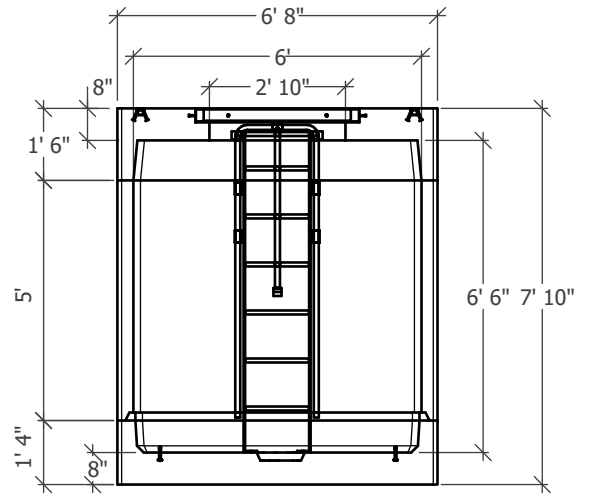
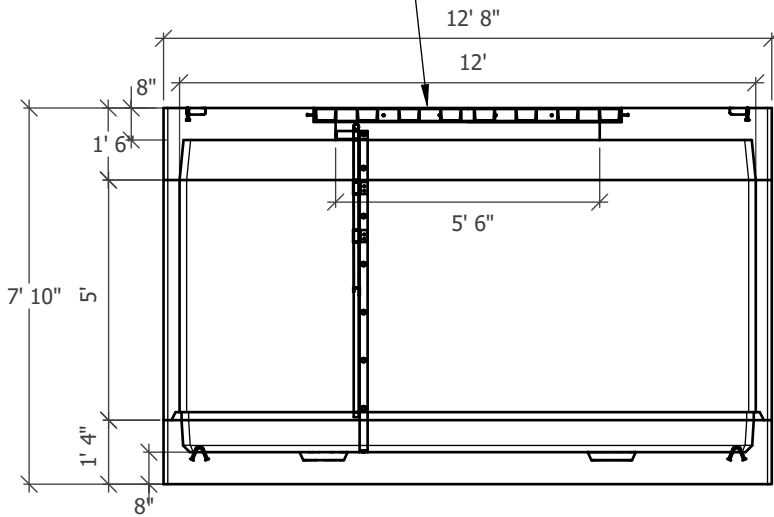
PLAN VIEW



LIFT ANCHORS
(4) Total

3X6 HATCH
Aluminum diamond plated
H-20 rated

END CUTAWAY



SIDE CUTAWAY

Customer:

Project:

Product: 612-3-3x6



612-3-3x6

541-923-3272
1111 NE 11TH ST.
REDMOND, OR
97756