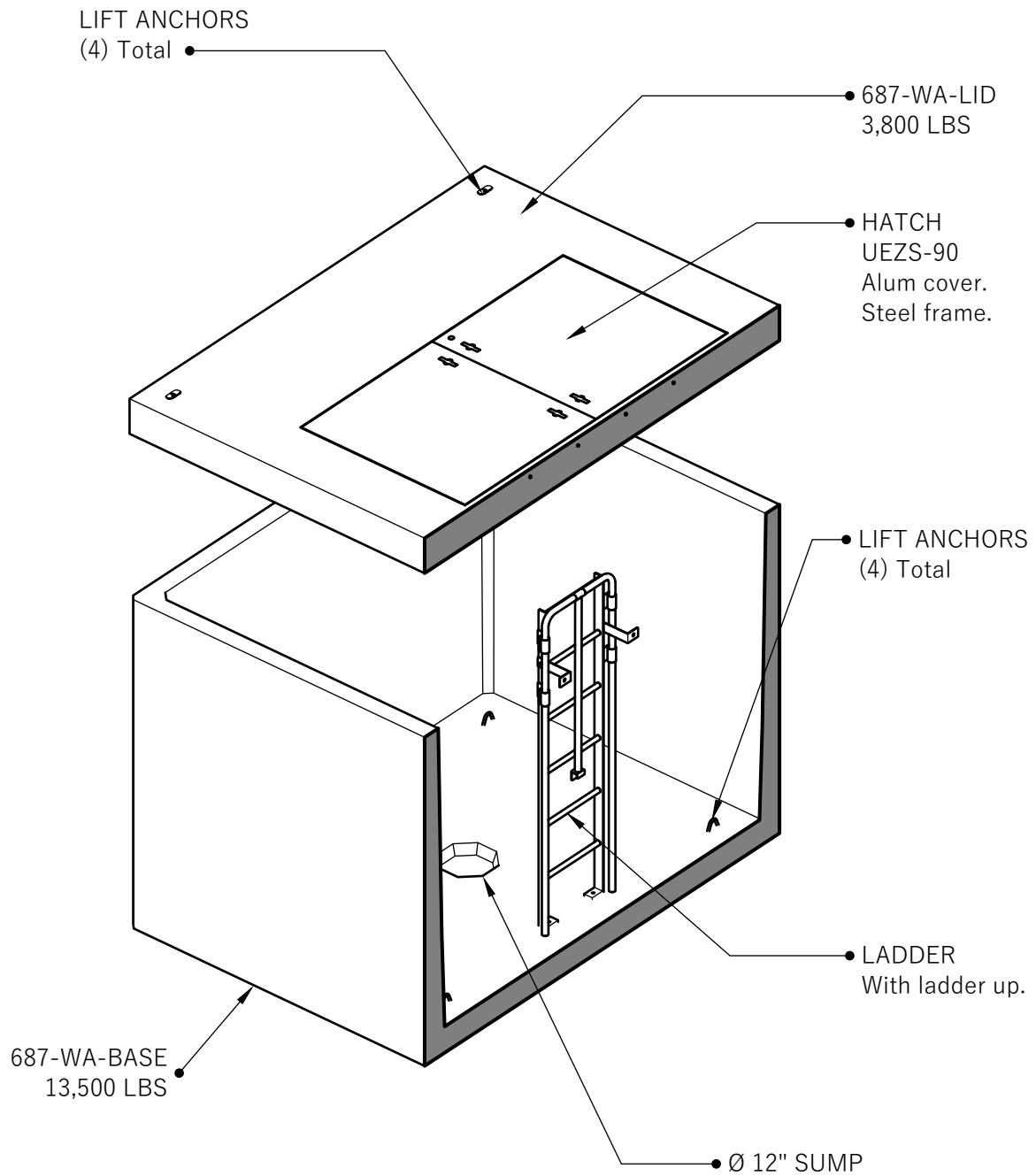


687-WA-3X6 H-20

SECTION AA



Customer:

Project:

Product: 687-WA-3X6 H-20

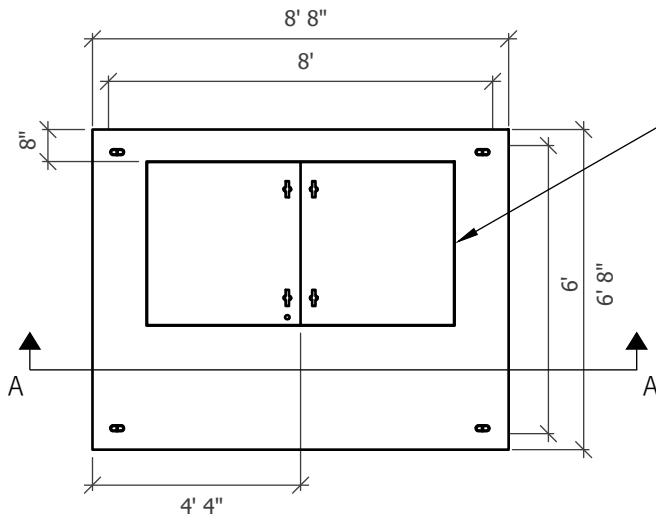


687-WA-3X6 H-20

541-923-3272
1111 NE 11TH ST.
REDMOND, OR
97756

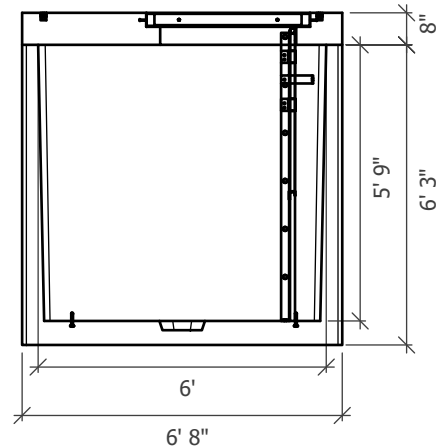
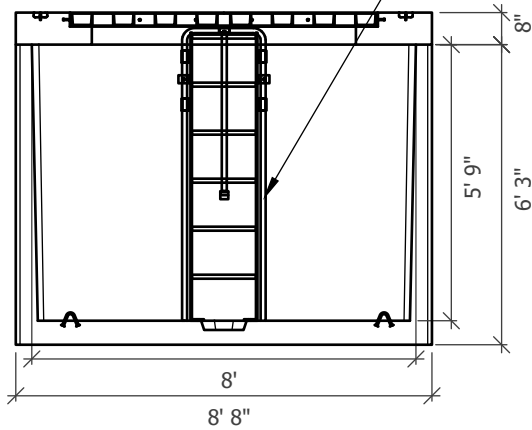
687-WA-3X6 H-20

PLAN VIEW



HATCH
UEZS-90
Alum cover.
Steel frame.

LADDER
With ladder up.



SIDE VIEW

END VIEW



687-WA-3X6 H-20

541-923-3272
1111 NE 11TH ST.
REDMOND, OR
97756