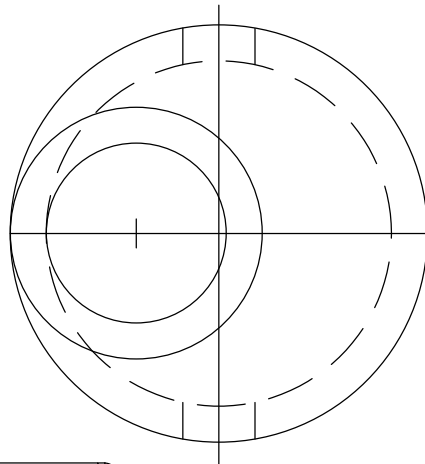


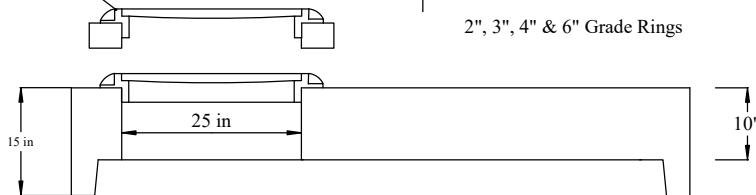


72" Manhole Stackout

Plan View



Cast Iron Suburban style F&C
Standard A-2110 optional



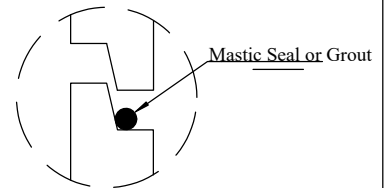
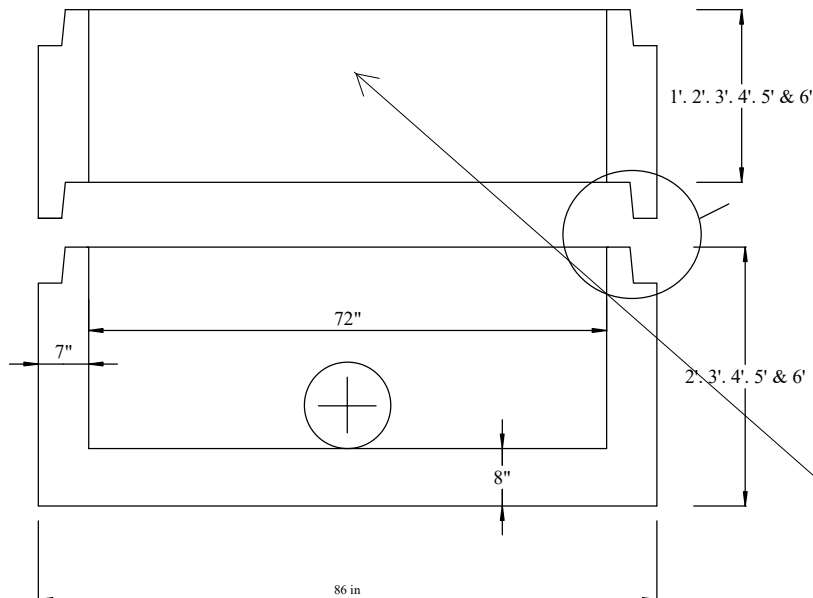
2", 3", 4" & 6" Grade Rings

Weights:

- Base: 2' - 7,790 lbs
- 3' - 9,600 lbs
- 4' - 11,410 lbs

- Section: 1' - 1,800 lbs
- 2' - 3,600 lbs
- 3' - 5,410 lbs
- 4' - 7,220 lbs

Flat Top: 4,940 lbs



Mastic Seal or Grout

Lift Anchors
(2) Each per:
Base, Section, Flat Top