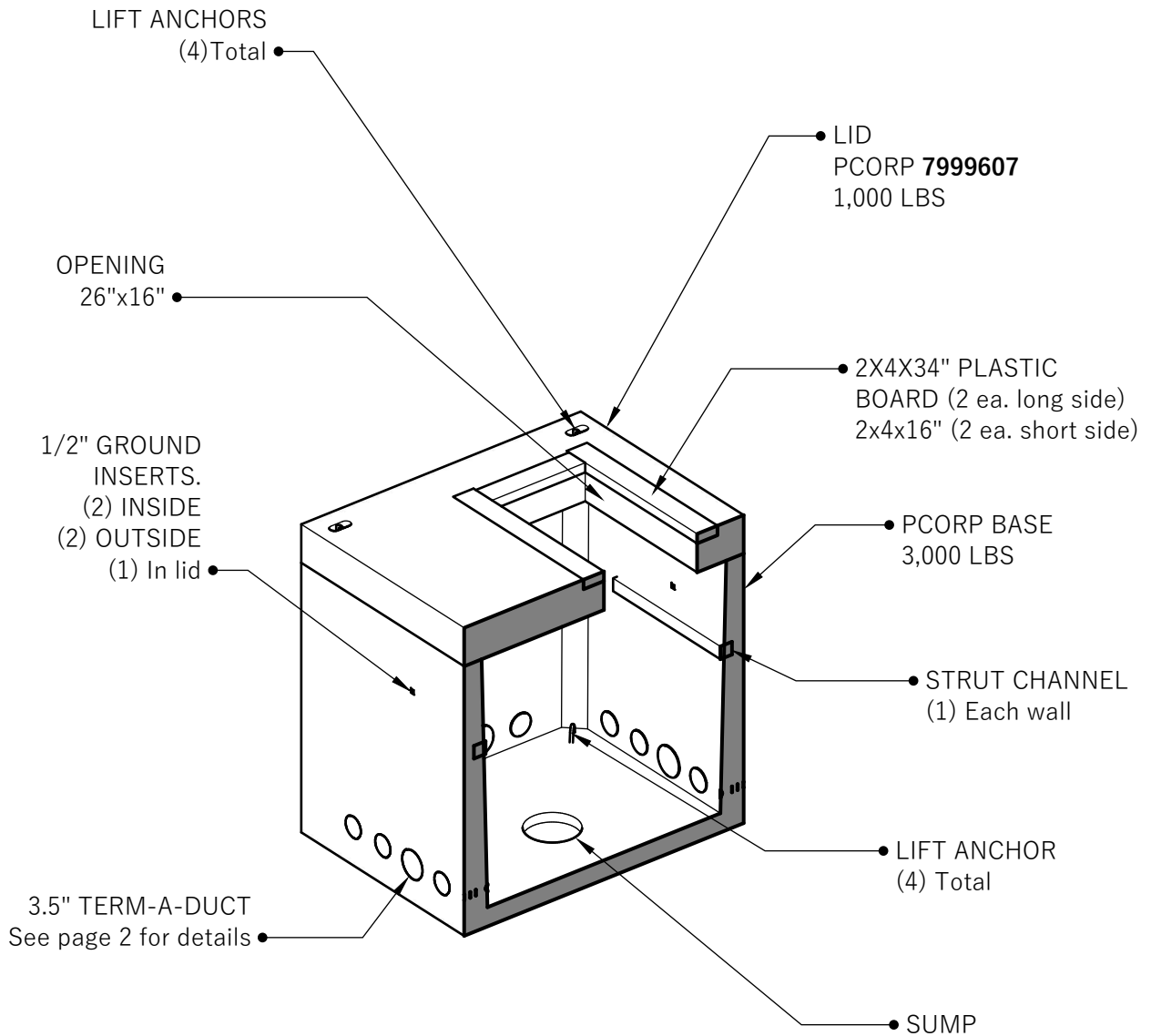


SECTION AA



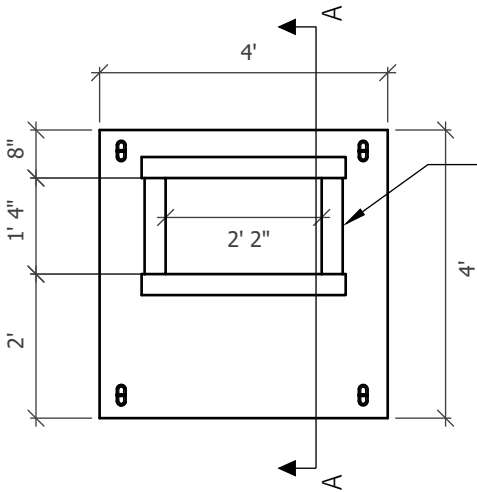
Customer:
Project:
Product: 444-Pcorp-7999607



**444-Pcorp-
7999607**

541-923-3272
1111 NE 11TH ST.
REDMOND, OR
97756

PLAN VIEW

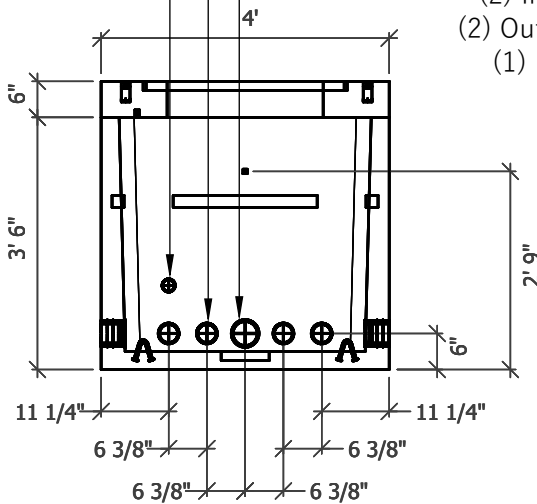


- 2X4X34" PLASTIC BOARD (2 ea. long side)
- 2x4x16" (2 ea. short side)

- 4.5" TERM-A-DUCT (1) Each side.

- 3.5" TERM-A-DUCT (4) Each side

- 2" TERM-A-DUCT (1) Each side.



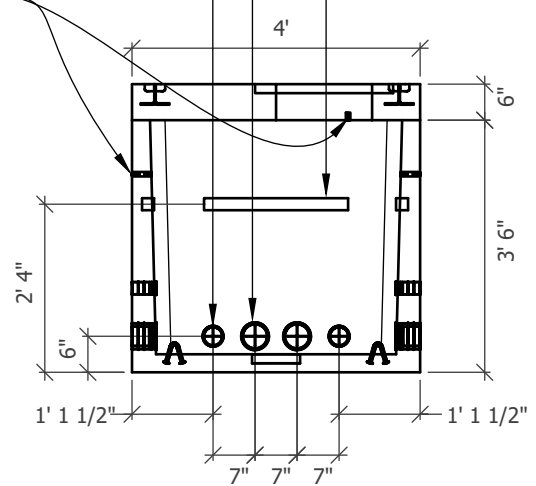
SIDE VIEW

- 1/2" GROUND INSERTS. (2) Inside (2) Outside (1) In lid

- 3.5" TERM-A-DUCT (2) Each end.

- 4.5" TERM-A-DUCT (2) Each end.

- C CHANNEL (1) Each wall.



END VIEW



444-Pcorp-7999607

541-923-3272
1111 NE 11TH ST.
REDMOND, OR
97756