

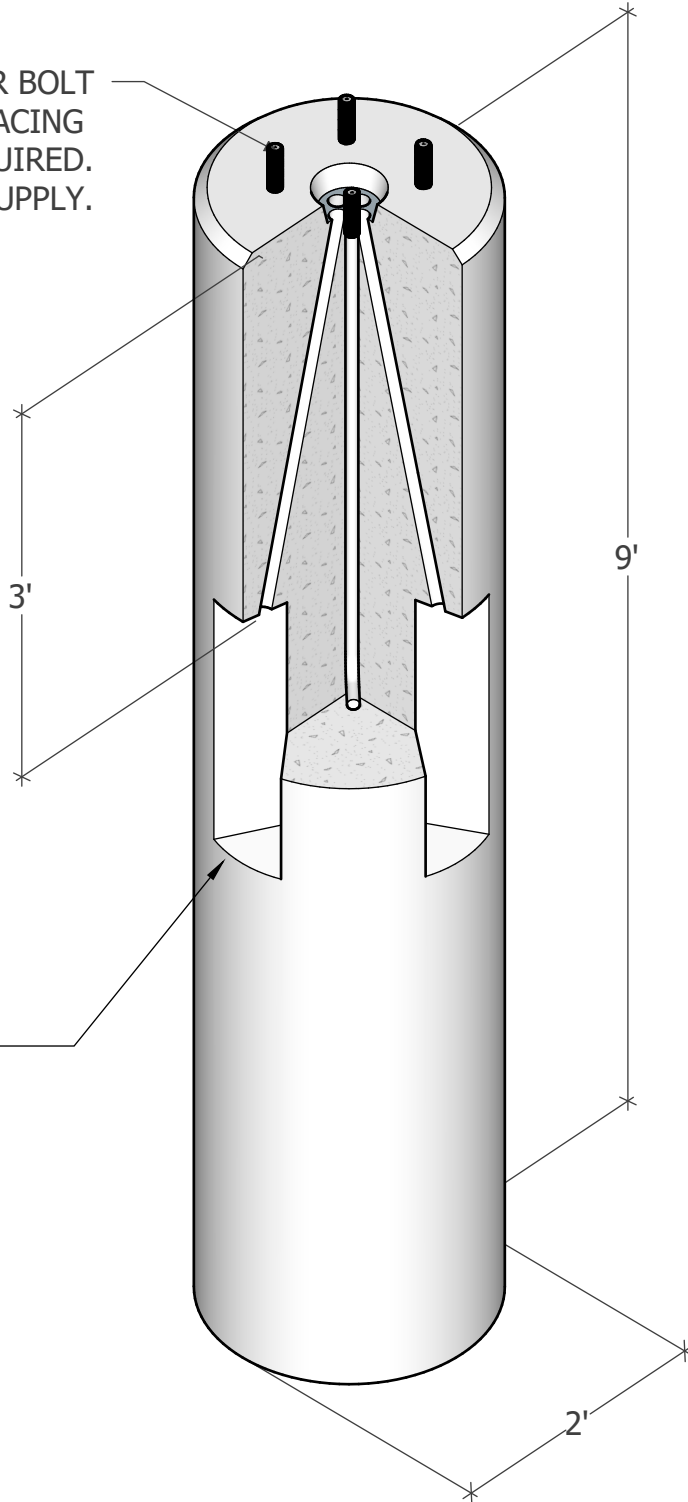
# LIGHT POLE BASE

9'



ANCHOR BOLT  
SIZE AND SPACING  
AS REQUIRED.  
CUSTOMER TO SUPPLY.

CONDUIT ENTRANCE  
4 PLACES



# LIGHT POLE BASE 9' REBAR

