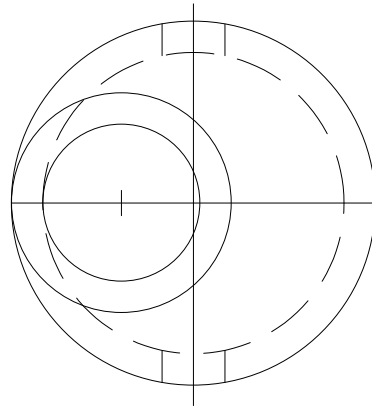


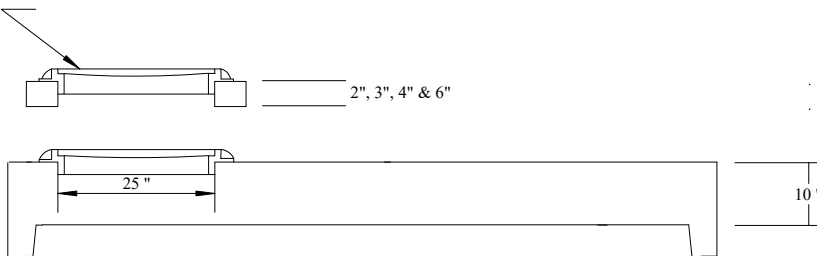


96" Manhole Stackout

Plan View



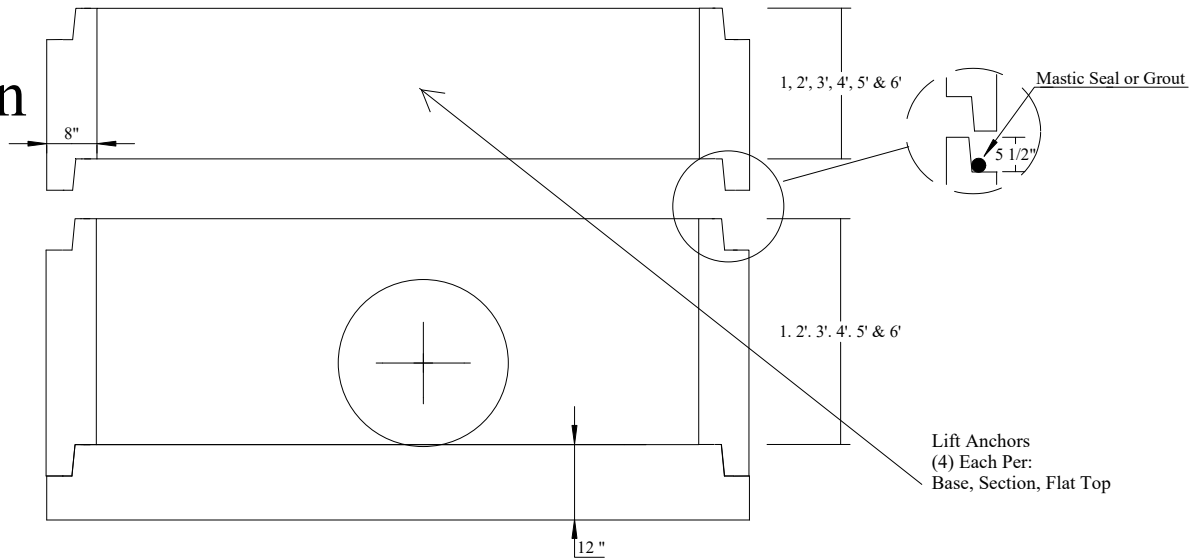
Cast Iron Suburban style F&C
Standard A-2110 optional



Section Weights:
2' - 5,152 lbs.
3' - 7,728 lbs.
4' - 10,304 lbs.
5' - 12,880 lbs.
6' - 15,456 lbs.

12" Flat Top - 8,282 lbs.
Base Slab - 9,086 lbs.

Section



Lift Anchors
(4) Each Per:
Base, Section, Flat Top