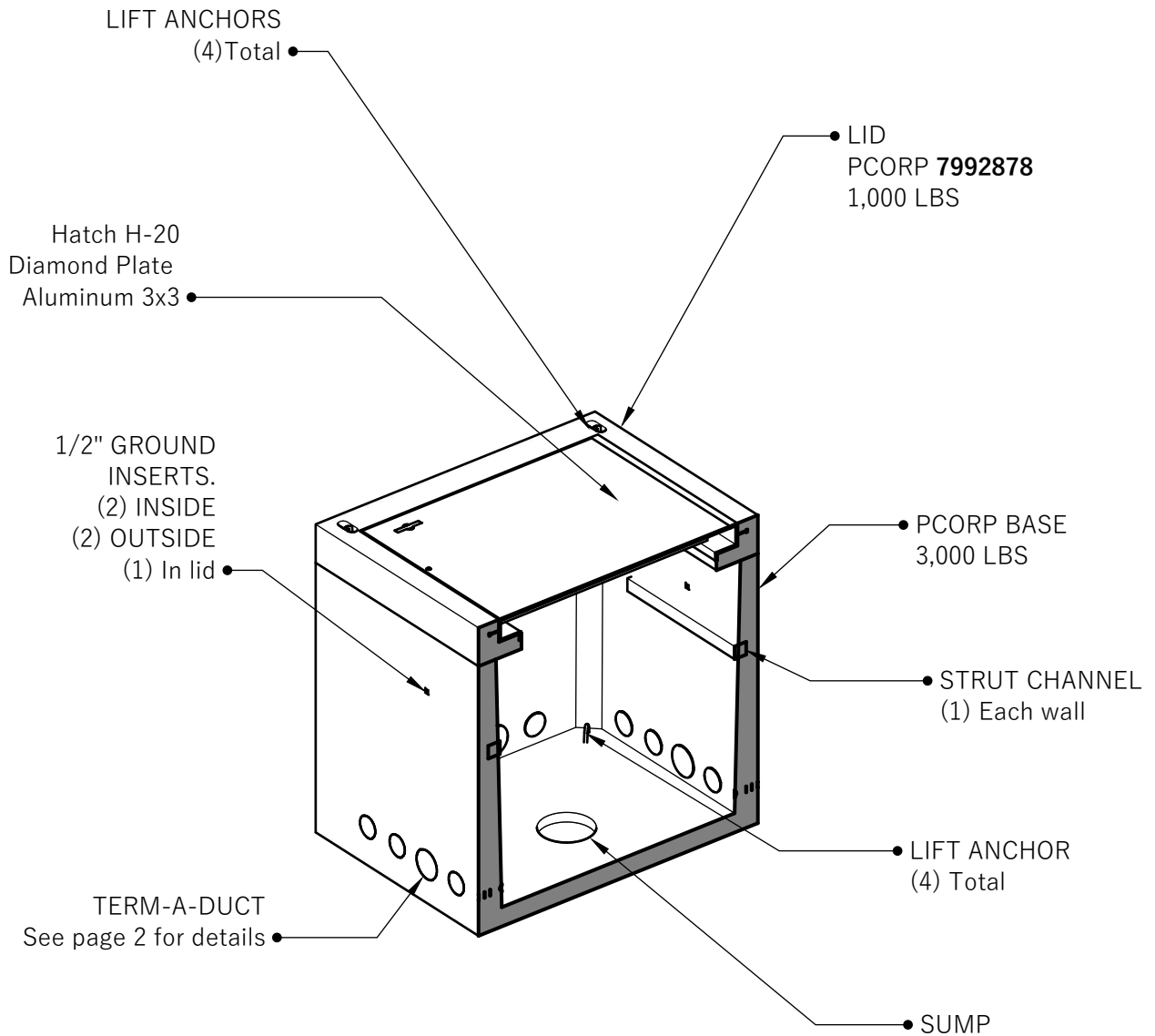


SECTION AA



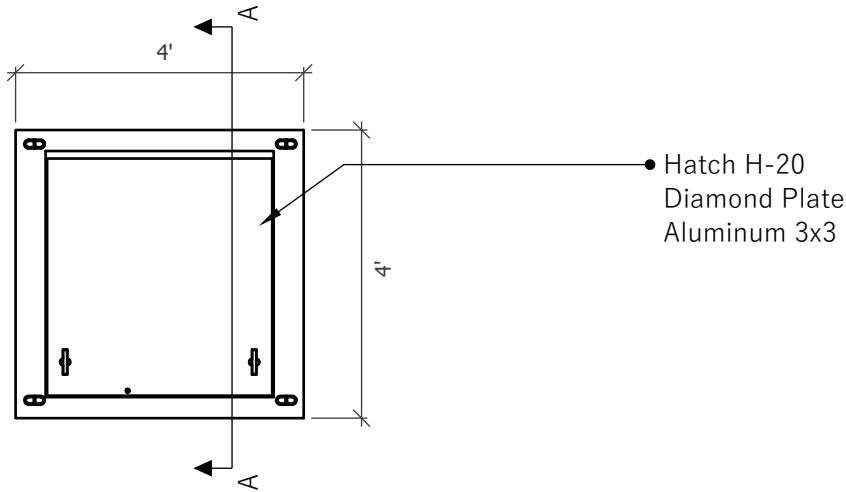
Customer:
Project:
Product: 444-Pcorp-7992878



**444-Pcorp-7992878**

541-923-3272  
1111 NE 11TH ST.  
REDMOND, OR  
97756

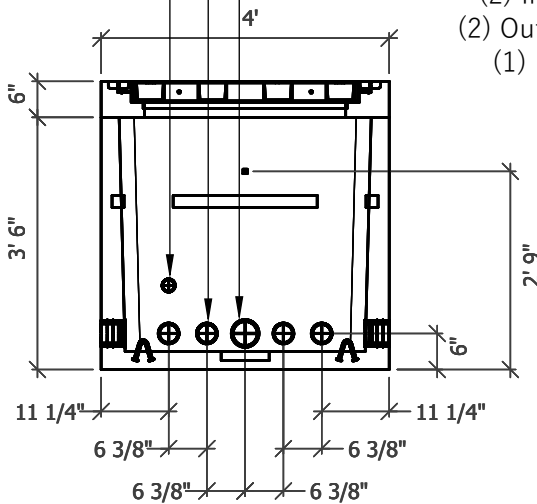
**PLAN VIEW**



4.5" TERM-A-DUCT  
(1) Each side.

3.5" TERM-A-DUCT  
(4) Each side

2" TERM-A-DUCT  
(1) Each side.

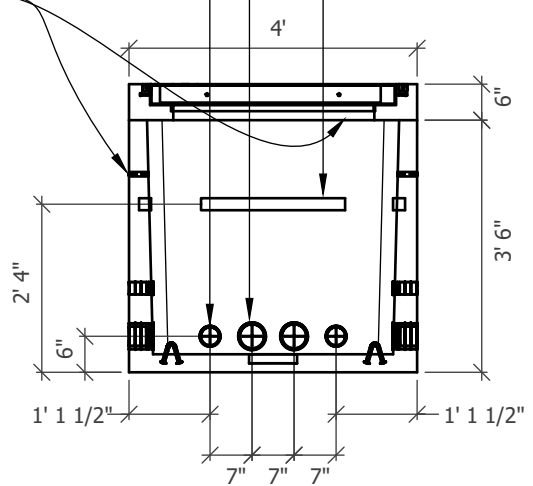


**SIDE VIEW**

3.5" TERM-A-DUCT  
(2) Each end.

4.5" TERM-A-DUCT  
(2) Each end.

C CHANNEL  
(1) Each wall.



**END VIEW**



444-Pcorp-  
7992878

541-923-3272  
1111 NE 11TH ST.  
REDMOND, OR  
97756