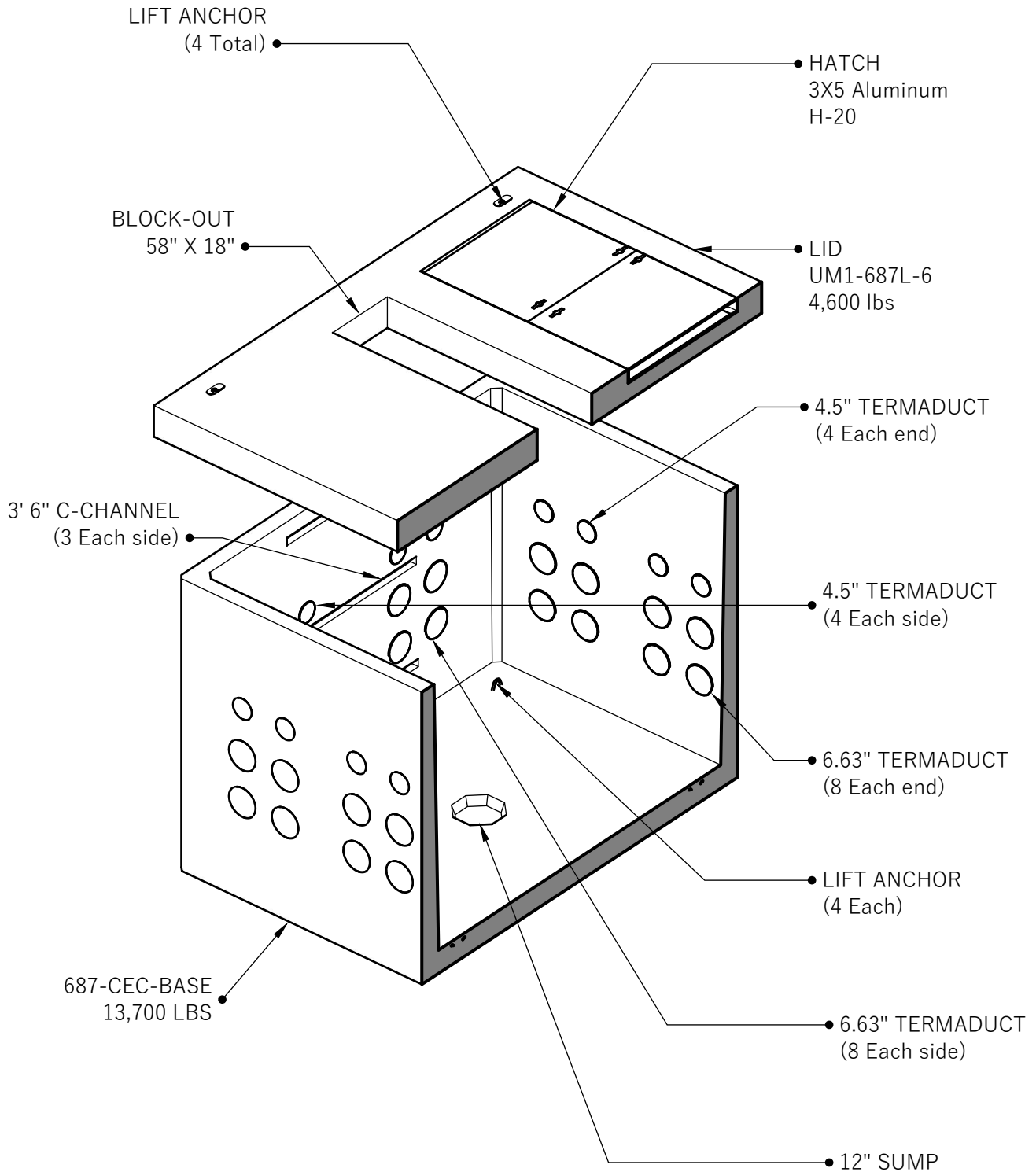



UM1-687L-6

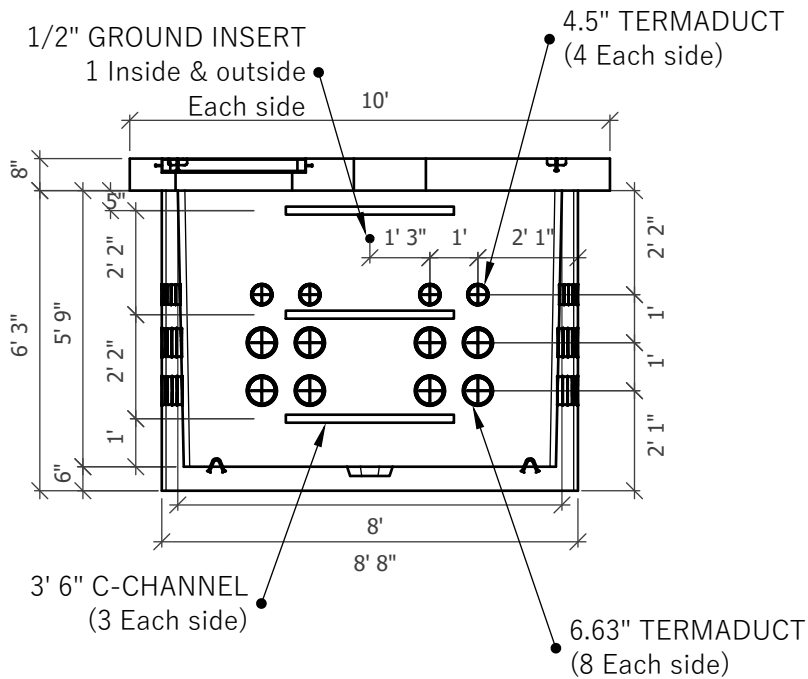
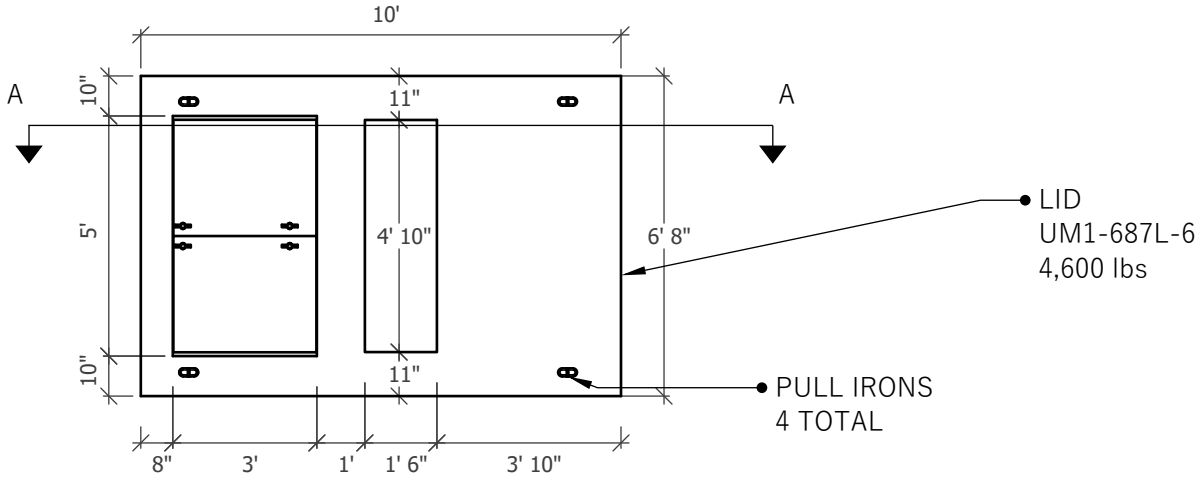
SECTION AA



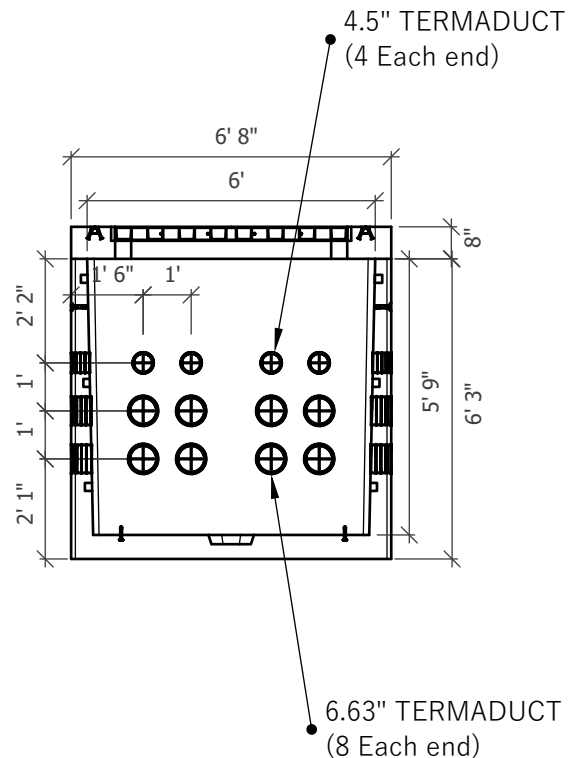
ISOMETRIC	 541-923-3272 1111 NE 11TH ST. REDMOND, OR 97756	Date Modified: December 19, 2023	1
		Plan Sheet:	
Customer:	Project:	Product: UM1-687L-6	

UM1-687L-6


PLAN VIEW



SIDE VIEW



END VIEW

PROFILE		541-923-3272 1111 NE 11TH ST. REDMOND, OR 97756	Date Modified: December 19, 2023	2
		Customer:	Project:	
			Product: UM1-687L-6	